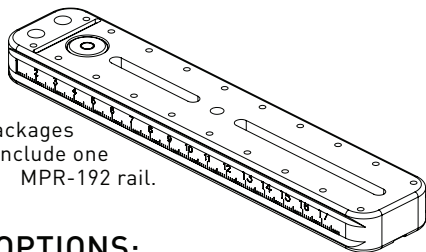




Really Right Stuff®




205 Higuera St, San Luis Obispo, CA 93401 USA
1-805-528-6321 | 1-888-777-5557
www.ReallyRightStuff.com

CLAMP & RAIL PACKAGES



All packages include one MPR-192 rail.

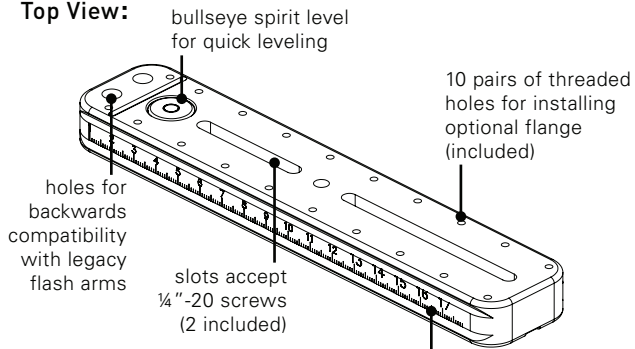
CLAMP OPTIONS:

-  192 Precision Plus Package.....B2-FAB + B2-mAS clamps
-  192 FAS Package.....FAS Clamp
-  192 Duo Package.....B2-Duo Clamp

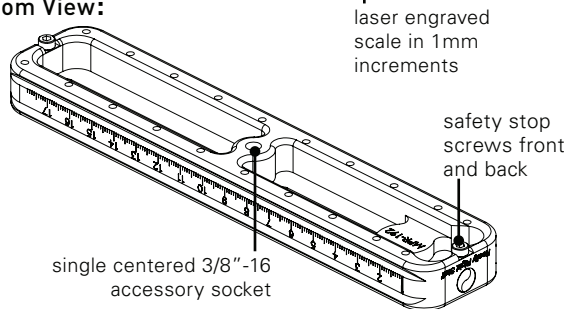
Clamp & Rail Packages are commonly used as nodal slides for panoramas, as focusing rails for macro, and as lateral sliders for tilt-shift & macro panoramas. Choose the clamp that accepts the fore/aft or left/right dovetails of your plates.

KEY FEATURES OF MPR-192 RAIL:

Top View:

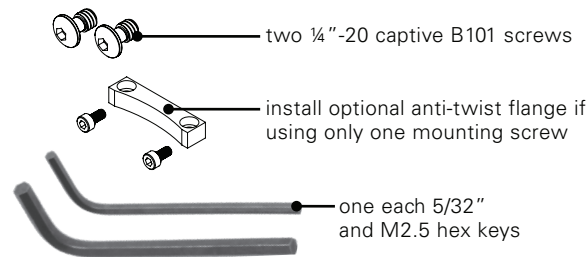


Bottom View:



Optional Hardware:

Your MPR-192 Rail can also be used as a multi-purpose rail for large lenses or cameras. In that case, you may wish to use the included hardware. However, when used as part of a Clamp & Rail Package, the hardware is unnecessary.



GUARANTEE

ALL REALLY RIGHT STUFF BRAND PRODUCTS ARE GUARANTEED TO THE ORIGINAL PURCHASER TO BE FREE OF DEFECTS IN MATERIALS OR WORKMANSHIP FOR FIVE (5) YEARS FROM THE DATE OF PURCHASE. PRODUCTS WILL BE REPAIRED OR REPLACED AT OUR OPTION.

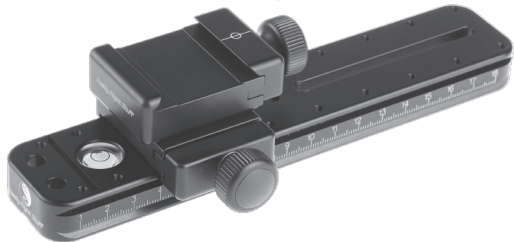
®, ™, © 2011 Really Right Stuff, LLC. All rights reserved.



192 PRECISION PLUS PACKAGE

MPR-192 + B2-FAB + B2-mAS

Sliding back-to-back mini-clamps accept quick-release plates with fore/aft dovetails **and** left/right dovetails.



In Use

Most body plate dovetails run left/right, but lens feet dovetails run fore/aft. To change clamp orientation, loosen screw 3 rotations, then lift and re-orient clamp; tighten screw.



For Lens Feet: clamp knobs are parallel.

OR



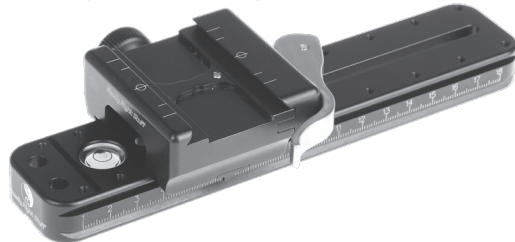
For Camera Bodies: clamp knobs are perpendicular.



192 FAS PACKAGE

MPR-192 + FAS Clamp

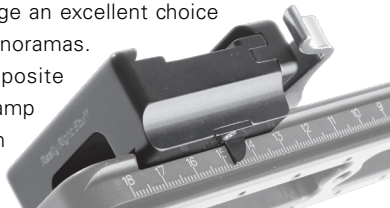
Sliding lever-release clamp accepts Really Right Stuff quick-release plates with left/right dovetails.



In Use

The FAS clamp delivers the best precision positioning of all Clamp & Rail Packages due to its unique index marker. This makes the FAS Package an excellent choice as a nodal slide for panoramas.

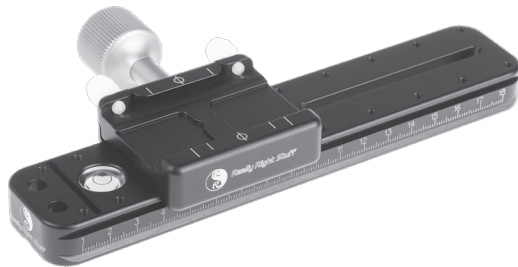
Use locking knob opposite index marker to lock clamp in place. Use only with RRS or Wimberley quick-release plates.



192 DUO PACKAGE

MPR-192 + B2-DUO Clamp

Sliding clamp accepts quick-release plates with fore/aft dovetails.



In Use

The B2-DUO is our lowest profile sliding clamp. Clamp locks to rail & plate simultaneously because clamp knob drives directly against a single clamp jaw. Nylon thumbscrews function only to keep lens plate in place when clamp jaw is loosened to make changes in position along the rail.

